

I SQUARED R ELEMENT CO., INC.

12600 Clarence Center Road, P.O. Box 390, Akron, New York 14001-0390, e-mail: sales@isquaredrelement.com  
webpage: [www.isquaredrelement.com](http://www.isquaredrelement.com), Phone (716)542-5511, FAX (716)542-2100

Use this work sheet to specify dimensions for Moly-D heating element quotations.

When previous order records are not available, actual measurements should be taken - see drawings shown below.

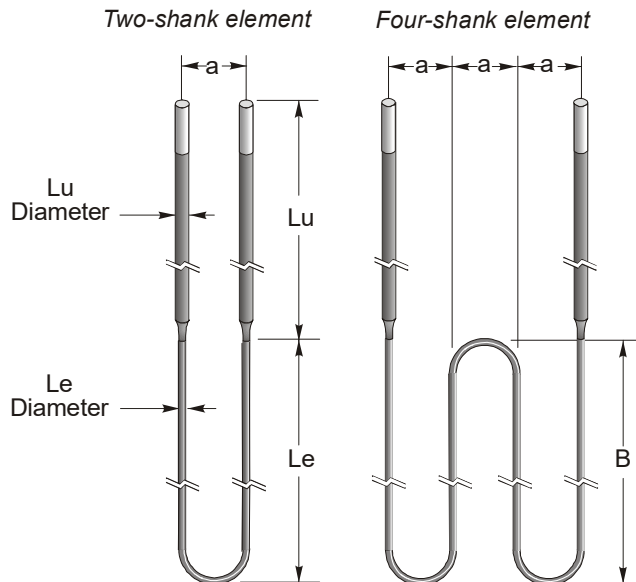
If straps and clamps are needed, please refer to the Moly-D accessory section.

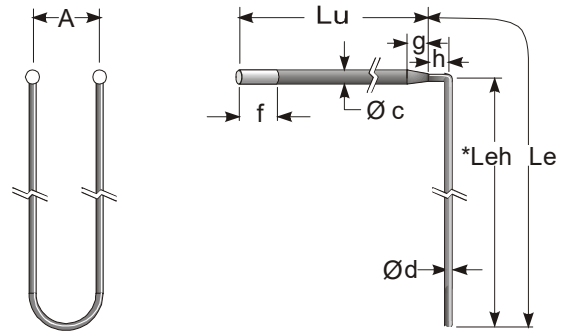
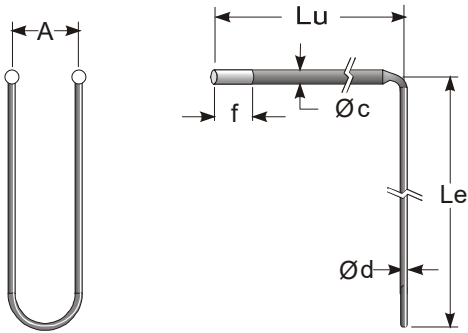
For technical assistance please contact our customer service department at (716)542-5511 or Fax (716)542-2100.

The following information is required:

Your Name:  
Company:  
Address:  
City & State & Country:  
Phone Number:  
Email Address:

Quantity Required:  
Hot Zone/Cold End Diameter: 3/6, 4/9, 6/12, 9/18 or 12/24:  
Hot zone length -  $L_e$ :  
Cold end length -  $L_u$  (includes taper):  
On-center distance between legs:  
Number of shanks:  
45° or 90° bend:  
Bend location in  $L_e$ :  
Bend location in  $L_u$ :  
Operating temperature of furnace:  
Grade MD-31, MD-33, MD-34, MD-XLR or MD-RT:



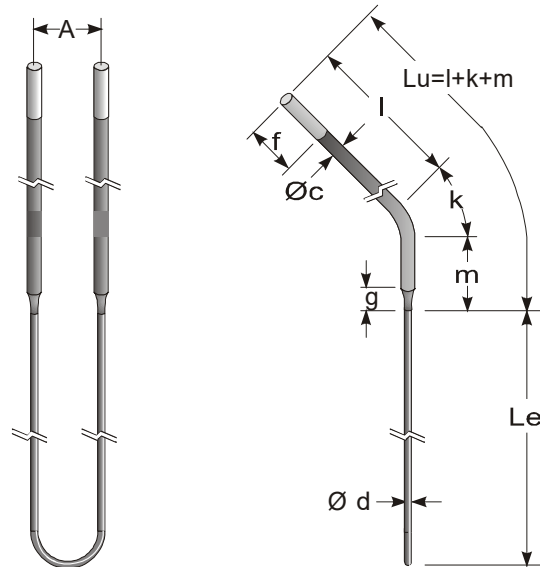
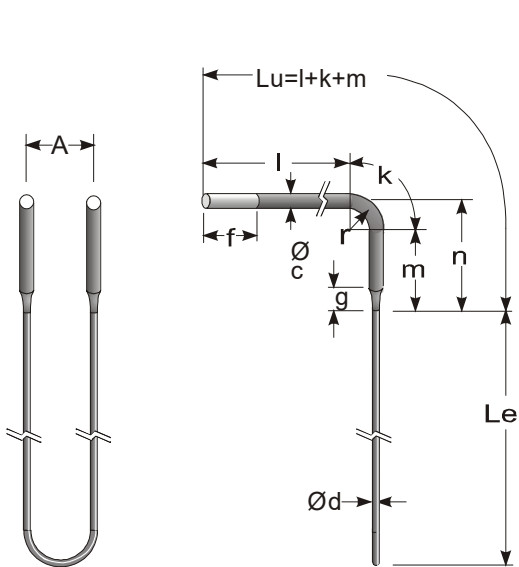


\*Leh for 6/12 element =  $Le - 6\text{mm}$  (.24")  
 Leh for 9/18 element =  $Le - 9\text{mm}$  (.35")

h for 6/12 element =  $15\text{mm}$  (.59 in.)  
 h for 9/18 element =  $20\text{mm}$  (.79 in.)

Element with 90° bend in Le;  
 available in 3/6 and 4/9

Element with 90° bend in Lu;  
 available in 6/12 & 9/18



Element with 90° bend in Lu;  
 available in 3/6, 4/9, 6/12 & 9/18

Element with 45° bend in Lu;  
 available in 3/6, 4/9, 6/12 & 9/18